

### Lead in Drinking Water Test Results

As of 9/25/18

Sample Location	Fixture Type	1 <sup>st</sup> Draw Results (ppb)	15 Second Draw Results (ppb)	60 Second Draw Results (ppb)	Remedial Recommendation	Remedial Response	Post Remediation Test Results (ppb)
1. Kitchen Prep Sink	SK	3.8	-	-	None	-	-
2. Nurse's Office Sink	SK	1.3	-	-	None	-	-
3. Men's Faculty BR by District Office Sink	SK	2.5	-	-	None	-	-
4. Business Office Sink	SK	1.4	-	-	None	-	-
5. Room 101 Water Fountain	WF	6.1	-	-	None	-	-
6. Room 102 Sink	SK	3.6	-	-	None	-	-
7. Room 116 Water Fountain	WF	<1.0	-	-	None	-	-
8. Room 118 Water Fountain	WF	<1.0	-	-	None	-	-
9. Room 119 Water Fountain	WF	1.1	-	-	None	-	-
10. Water Fountain by Room 105	WF	3.4	-	-	None	-	-
11. Water Fountain by Room 109	WF	3.7	-	-	None	-	-
12. Water Fountain by Room 207	WF	<1.0	-	-	None	-	-
13. Water Fountain by Room 203	WF	12	-	-	None	-	-
14. Water Fountain by Faculty Room	WF	<1.0	-	-	None	-	-
2nd Fl. Women's BR	SK	11	-	-	None	-	-
2nd Fl. Boy's BR by Room 201 @ (A)	SK	2.8	-	-	None	-	-
2nd Fl. Boy's BR by Room 201 @ (B)	SK	<2.5	-	-	None	-	-
2nd Fl. Girl's BR by Room 203 @ (A)	SK	<2.5	-	-	None	-	-
2nd Fl. Girl's BR by Room 203 @ (B)	SK	<2.5	-	-	None	-	-
2nd Fl. Girl's BR by Room 205A @ (A)	SK	<2.5	-	-	None	-	-
2nd Fl. Girl's BR by Room 205A @ (B)	SK	<2.5	-	-	None	-	-
2nd Fl. Boy's BR by Room 207 @ (A)	SK	<2.5	-	-	None	-	-
2nd Fl. Boy's BR by Room 207 @ (B)	SK	<2.5	-	-	None	-	-

Lead in Drinking Water Test Results

As of 9/25/18

Sample Location	Fixture Type	1 <sup>st</sup> Draw Results (ppb)	15 Second Draw Results (ppb)	60 Second Draw Results (ppb)	Remedial Recommendation	Remedial Response	Post Remediation Test Results (ppb)
2nd Fl. Men's BR	SK	<2.5	-	-	None	-	-
Library Office	SK	<2.5	-	-	None	-	-
Library BR	SK	<2.5	-	-	None	-	-
Room 119	SK	5.9	-	-	None	-	-
Room 119 BR	SK	<2.5	-	-	None	-	-
Room 117	WF	<2.5	-	-	None	-	-
Room 117	SK	<2.5	-	-	None	-	-
Room 117 BR	SK	<2.5	-	-	None	-	-
Art Room 116 Unit @ (A)	SS	<2.5	-	-	None	-	-
Art Room 116 Unit @ (B)	SS	<2.5	-	-	None	-	-
Art Room 116 Unit @ (C)	SS	<2.5	-	-	None	-	-
Art Room 116 Unit @ (D)	SS	<2.5	-	-	None	-	-
Room 114	WF	<2.5	-	-	None	-	-
Room 114	SK	<2.5	-	-	None	-	-
Room 114 BR	SK	<2.5	-	-	None	-	-
Room 113	WF	<2.5	-	-	None	-	-
<b>Room 113</b>	<b>SK</b>	<b>40</b>	<b>&lt;1.0</b>	<b>2.2</b>	<b>FR</b>	<b>Completed FR</b>	<b>5.1</b>
Room 113 BR	SK	<2.5	-	-	None	-	-
Staff BR by RM 113A	SK	<2.5	-	-	None	-	-
Room 115	WF	<2.5	-	-	None	-	-
Room 115	SK	<2.5	-	-	None	-	-
Room 115 BR	SK	<2.5	-	-	None	-	-
Room 118	SK	<2.5	-	-	None	-	-

Lead in Drinking Water Test Results

As of 9/25/18

Sample Location	Fixture Type	1 <sup>st</sup> Draw Results (ppb)	15 Second Draw Results (ppb)	60 Second Draw Results (ppb)	Remedial Recommendation	Remedial Response	Post Remediation Test Results (ppb)
Room 118 BR	SK	<2.5	-	-	None	-	-
Boy's BR by Room 109 @ (A)	SK	<2.5	-	-	None	-	-
Boy's BR by Room 109 @ (B)	SK	<2.5	-	-	None	-	-
Girl's BR by Room 107A @ (A)	SK	<2.5	-	-	None	-	-
Girl's BR by Room 107A @ (B)	SK	<2.5	-	-	None	-	-
Girl's BR by Room 105 @ (A)	SK	<2.5	-	-	None	-	-
Boy's BR by Room 105 @ (A)	SK	<2.5	-	-	None	-	-
Boy's BR by Room 105 @ (B)	SK	<2.5	-	-	None	-	-
Room 102	WF	3.8	-	-	None	-	-
Room 102 BR	SK	3.8	-	-	None	-	-
Room 101	SK	3.1	-	-	None	-	-
Room 101 BR	SK	<2.5	-	-	None	-	-
Nurses Office BR	SK	<2.5	-	-	None	-	-
Main Office Conference Room	SK	<2.5	-	-	None	-	-
Kitchen Handwashing	SK	<2.5	-	-	None	-	-
Kitchen Prep	SPRAY	<2.5	-	-	None	-	-
Kitchen Pot Filler	SP	6.6	-	-	None	-	-
<b>Girl's LR</b>	<b>SK</b>	<b>840</b>			<b>FR</b>	<b>SIGN</b>	<b>-</b>
Boy's LR BR / Business Office BR	SK	<2.5	-	-	None	-	-
Womens Faculty BR by Business Office	SK	<2.5	-	-	None	-	-
Room 102 (New Fixture)	WF	<1.0	-	-	None	-	-
Water Fountain by Room 105 (New Fixture 2017)	WF	<1.0	-	-	None	-	-

Lead in Drinking Water Test Results

As of 9/25/18

Sample Location	Fixture Type	1 <sup>st</sup> Draw Results (ppb)	15 Second Draw Results (ppb)	60 Second Draw Results (ppb)	Remedial Recommendation	Remedial Response	Post Remediation Test Results (ppb)
Water Fountain by Room 109 (New Fixture 2017)	WF	<1.0	-	-	None	-	-
Cafeteria	WF	<1.0	-	-	None	-	-
Water Fountain by Business Office	WF	<1.0	-	-	None	-	-
Water Fountain by Room 203 (New Fixture 2017)	WF	<1.0	-	-	None	-	-
Water Fountain by Room 118	WF	<1.0	-	-	None	-	-

## Code Key

### Remediation Type Codes

FR	=	Fixture replacement
FRSLV	=	Replacement of fixture, supply lines, and valves
FRSLVPA	=	Replacement of fixture, supply lines, valves and plumbing assessment
SIGN	=	Warning sign posting
CAP	=	Remove fixture or cap line

### Room ID Codes

CC	=	Custodian Closet
MPR	=	Multi Purpose Room
Café	=	Cafeteria
Sci	=	Science Lab
PE	=	Physical Ed
BR	=	Bathroom
LR	=	Locker Room
RM	=	Room

### Fixture Type Codes

WF	=	Water Fountain
SK	=	Sink
SS	=	Slop Sink
SP	=	Spigot
PF	=	Pot Filler
HB	=	Hose Bib
IM	=	Ice Machine
WC	=	Water Cooler
SH	=	Shower
SL	=	Supply Line

### Result Code

ND	=	Not Detected
<	=	Less Than
-	=	No Testing Required
#	=	When seen in the Post Remediation Test Results: after numerous failing tests, the Hashtag is used to show a passing result



### Lead in Drinking Water Test Results

As of 9/25/18

Sample Location	Fixture Type	1 <sup>st</sup> Draw Results (ppb)	15 Second Draw Results (ppb)	60 Second Draw Results (ppb)	Remedial Recommendation	Remedial Response	Post Remediation Test Results (ppb)
1. Kitchen Prep Sink	SK	<1.0			None	-	-
2. Main Lobby Water Fountain	WF	<1.0	-	-	None	-	-
3. Nurse's Office Sink	SK	1.2	-	-	None	-	-
4. Faculty Room Sink	SK	<1.0	-	-	None	-	-
5. Room K-2 Water Fountain	WF	1.2	-	-	None	-	-
6. Room K-3 Water Fountain	WF	<1.0	-	-	None	-	-
7. Room K-4 Water Fountain	WF	2.2	-	-	None	-	-
8. Water Fountain by Room 15	WF	<1.0	-	-	None	-	-
9. Water Fountain by Room 16	WF	<1.0	-	-	None	-	-
10. Water Fountain Room 111	WF	1.3	-	-	None	-	-
11. Room 112 Sink	SK	1.3	-	-	None	-	-
12. Water Fountain by Room 110	WF	<1.0	-	-	None	-	-
13. Water Fountain by Room 116	WF	<1.0	-	-	None	-	-
14. Room K1/21 Sink	SK	1.8	-	-	None	-	-
Boy's Br By Main Office	SK	<1.0	-	-	None	-	-
Custodian Office BR	SK	<1.0	-	-	None	-	-
Girl's BR By Main Office	SK	1	-	-	None	-	-
Women's BR By Storage 63 @ (A)	SK	13	-	-	None	-	-
Women's BR By Storage 63 @ (B)	SK	1.8	-	-	None	-	-
Men's BR by Storage 63	SK	<1.0	-	-	None	-	-
Room 101	WF	<1.0	-	-	None	-	-
Room 101	SK	4.1	-	-	None	-	-
Room 104	WF	1	-	-	None	-	-

Lead in Drinking Water Test Results

As of 9/25/18

Sample Location	Fixture Type	1 <sup>st</sup> Draw Results (ppb)	15 Second Draw Results (ppb)	60 Second Draw Results (ppb)	Remedial Recommendation	Remedial Response	Post Remediation Test Results (ppb)
Room 104	SK	<1.0	-	-	None	-	-
Hallway Across Room 103	WF	<1.0	-	-	None	-	-
Room 103	WF	<1.0	-	-	None	-	-
Room 103	SK	<1.0	-	-	None	-	-
Room 106	WF	<1.0	-	-	None	-	-
Room 106	SK	<1.0	-	-	None	-	-
Room 105	WF	<1.0	-	-	None	-	-
Room 105	SK	1.1	-	-	None	-	-
Boy's BR By Room 105 @ (A)	SK	<1.0	-	-	None	-	-
Boy's Br By Room 105 @ (B)	SK	<1.0	-	-	None	-	-
Boy's Br By Room 105 @ (C)	SK	<1.0	-	-	None	-	-
Boy's Br By Room 105 @ (D)	SK	<1.0	-	-	None	-	-
Girl's Br By Room 105 @ (A)	SK	1.3	-	-	None	-	-
Girl's Br By Room 105 @ (B)	SK	1.7	-	-	None	-	-
Girl's Br By Room 105 @ (C)	SK	2.1	-	-	None	-	-
Girl's Br By Room 105 @ (D)	SK	3.4	-	-	None	-	-
Room 108	WF	1.6	-	-	None	-	-
Room 108	SK	2.2	-	-	None	-	-
Room 107	WF	9.2	-	-	None	-	-
Room 107	SK	3.7	-	-	None	-	-
Room 110	WF	1.8	-	-	None	-	-
<b>Room 110</b>	<b>SK</b>	<b>17</b>	<b>&lt;1.0</b>	<b>&lt;1.0</b>	<b>FR</b>	<b>Completed FR</b>	<b>&lt;1.0</b>
Room 110 BR	SK	11	-	-	None	-	-

### Lead in Drinking Water Test Results

As of 9/25/18

Sample Location	Fixture Type	1 <sup>st</sup> Draw Results (ppb)	15 Second Draw Results (ppb)	60 Second Draw Results (ppb)	Remedial Recommendation	Remedial Response	Post Remediation Test Results (ppb)
Room 109	WF	1.7	-	-	None	-	-
Room 109	SK	3	-	-	None	-	-
Room 112	WF	6.3	-	-	None	-	-
<b>Room 111</b>	<b>SK</b>	<b>22</b>	<b>25</b>	<b>1.3</b>	<b>FRSLV</b>	<b>Completed FRSLV</b>	<b>5.6</b>
Serving Line	SK	2.9	-	-	None	-	-
Dishwasher Station	SPRAY	2.5	-	-	None	-	-
Kitchen Prep @ (B)	SK	11	-	-	None	-	-
Kitchen Handwash	SK	1.4	-	-	None	-	-
Principal's Office BR	SK	2.4	-	-	None	-	-
Speech Room	SK	2.2	-	-	None	-	-
Nurse's Office BR	SK	1.9	-	-	None	-	-
Staff BR By Faculty Room	SK	2.3	-	-	None	-	-
Art Room Station 1 @ (A)	SK	1.4	-	-	None	-	-
Art Room Station 1 @(B)	SK	1.5	-	-	None	-	-
Art Room BR	SK	1.4	-	-	None	-	-
Adult BR By Room K2	SK	2.8	-	-	None	-	-
Room K2	SK	1.5	-	-	None	-	-
<b>Room K1</b>	<b>WF</b>	<b>42</b>			<b>FR</b>	<b>CAP</b>	<b>-</b>
Room K1 BR	SK	7	-	-	None	-	-
Rom K3	SK	2.9	-	-	None	-	-
Room K3 BR	SK	3.1	-	-	None	-	-
Room K4	SK	1.8	-	-	None	-	-
Room K4 BR	SK	1.5	-	-	None	-	-



Lead in Drinking Water Test Results

As of 9/25/18

Sample Location	Fixture Type	1 <sup>st</sup> Draw Results (ppb)	15 Second Draw Results (ppb)	60 Second Draw Results (ppb)	Remedial Recommendation	Remedial Response	Post Remediation Test Results (ppb)
Room 17	WF	1.2	-	-	None	-	-
Room 17	SK	2.1	-	-	None	-	-
Room 17 BR	SK	2.1	-	-	None	-	-
Room 16	SK	7.3	-	-	None	-	-
Room 15	WF	1.6	-	-	None	-	-
Room 15	SK	12	-	-	None	-	-
Room 15 BR	SK	2.8	-	-	None	-	-
Room 14	WF	6.4	-	-	None	-	-
Room 14	SK	13	-	-	None	-	-
Room 14 BR	SK	6.2	-	-	None	-	-
Room 13	WF	2.6	-	-	None	-	-
Room 13	SK	<1.0	-	-	None	-	-
Room 13 BR	SK	3.6	-	-	None	-	-
Room 12	WF	2.2	-	-	None	-	-
Room 12	SK	1.8	-	-	None	-	-
Room 11	WF	1	-	-	None	-	-
Room 11	SK	2.6	-	-	None	-	-
Room 10	WF	1.1	-	-	None	-	-
Room 10	SK	2.7	-	-	None	-	-
Room 9	WF	1.1	-	-	None	-	-
Room 9	SK	14	-	-	None	-	-
Boy's BR By Room 10 @ (A)	SK	18			FR	CAP	-
Boy's BR By Room 10 @ (B)	SK	2.1	-	-	None	-	-

Lead in Drinking Water Test Results

As of 9/25/18

Sample Location	Fixture Type	1 <sup>st</sup> Draw Results (ppb)	15 Second Draw Results (ppb)	60 Second Draw Results (ppb)	Remedial Recommendation	Remedial Response	Post Remediation Test Results (ppb)
Boy's BR By Room 10 @ (C)	SK	1.4	-	-	None	-	-
Boy's BR By Room 10 @ (D)	SK	1.9	-	-	None	-	-
Boy's BR By Room 10 @ (E)	SK	3.2	-	-	None	-	-
Adult BR By Room 10	SK	2.2	-	-	None	-	-
Girl's BR By Room 7 @ (A)	SK	8.3	-	-	None	-	-
Girl's BR By Room 7 @ (B)	SK	1.8	-	-	None	-	-
Girl's BR By Room 7 @ (C)	SK	1.5	-	-	None	-	-
Girl's BR By Room 7 @ (D)	SK	3	-	-	None	-	-
Girl's BR By Room 7 @ (E)	SK	1.6	-	-	None	-	-
Library	SK	2.9	-	-	None	-	-
Room 7	SK	10	-	-	None	-	-
Room 8	WF	2.7	-	-	None	-	-
Room 8	SK	3.4	-	-	None	-	-
Room 6	WF	7.7	-	-	None	-	-
Room 6	SK	1.5	-	-	None	-	-
Room 5	WF	1.9	-	-	None	-	-
Room 5	SK	<1.0	-	-	None	-	-
Room 3	WF	1.1	-	-	None	-	-
Room 3	SK	2.1	-	-	None	-	-
Room 4	SK	1.3	-	-	None	-	-
Room 2	WF	<1.0	-	-	None	-	-
Room 2	SK	5.9	-	-	None	-	-
Room 1	SK	5.1	-	-	None	-	-

Lead in Drinking Water Test Results

As of 9/25/18

Sample Location	Fixture Type	1 <sup>st</sup> Draw Results (ppb)	15 Second Draw Results (ppb)	60 Second Draw Results (ppb)	Remedial Recommendation	Remedial Response	Post Remediation Test Results (ppb)
Cafeteria	WF	<1.0	-	-	None	-	-
Water Fountain by Room 15 (New Fixture 2017)	WF	<1.0	-	-	None	-	-
Water Fountain by Room 106	WF	<1.0	-	-	None	-	-
Water Fountain by Room 110 (New Fixture 2017)	WF	<1.0	-	-	None	-	-

## Code Key

### Remediation Type Codes

FR	=	Fixture replacement
FRSLV	=	Replacement of fixture, supply lines, and valves
FRSLVPA	=	Replacement of fixture, supply lines, valves and plumbing assessment
SIGN	=	Warning sign posting
CAP	=	Remove fixture or cap line

### Room ID Codes

CC	=	Custodian Closet
MPR	=	Multi Purpose Room
Café	=	Cafeteria
Sci	=	Science Lab
PE	=	Physical Ed
BR	=	Bathroom
LR	=	Locker Room
RM	=	Room

### Fixture Type Codes

WF	=	Water Fountain
SK	=	Sink
SS	=	Slop Sink
SP	=	Spigot
PF	=	Pot Filler
HB	=	Hose Bib
IM	=	Ice Machine
WC	=	Water Cooler
SH	=	Shower
SL	=	Supply Line

### Result Code

ND	=	Not Detected
<	=	Less Than
-	=	No Testing Required
#	=	When seen in the Post Remediation Test Results: after numerous failing tests, the Hashtag is used to show a passing result



Lead in Drinking Water Test Results

As of 9/25/18

Sample Location	Fixture Type	1 <sup>st</sup> Draw Results (ppb)	15 Second Draw Results (ppb)	60 Second Draw Results (ppb)	Remedial Recommendation	Remedial Response	Post Remediation Test Results (ppb)
1st Floor Nurse's Office SK	SK	15	4.6	6.5	None	-	-
1st Floor WF by Staff BR (Left)	WF	29	57	3.5	FRSLV	CAP	-
1st Floor WF by Staff BR (Right)	WF	32	9.3	8.2	FR	Completed FR	2.2
1st Floor WF by Main Office (Right)	WF	18	7.6	6	FR	Completed FR	8.3
1st Floor WF by Main Office (left)	WF	13	-	-	None	-	-
2nd Floor WF by Computer Lab (left)	WF	9	-	-	None	-	-
2nd Floor WF by Computer Lab (right)	WF	6.5	-	-	None	-	-
2nd Floor WF by Library (Left)	WF	21	16	9.2	FRSLV	Completed FRSLV	6.1
2nd Floor WF by Library (right)	WF	13	8.8	7	None	-	-
2nd Floor WF by Boy's Room (Left)	WF	10	5	5.6	None	-	-
2nd Floor WF by Boy's Room (Right)	WF	5.3	2.6	1.9	None	-	-
Room 102	WF	20			FR	Completed FR	4.5
Room 101	WF	17			FR	Completed FR	29 (12/12/2017)
Room 201	WF	19			FR	CAP	-
Room 203	WF	22			FR	CAP	-
Room 202	WF	14	-	-	None	-	-
Girl's BR by RM RR1 @ (A)	SK	4.7	-	-	None	-	-
Girl's BR by RM RR1 @ (B)	SK	5.1	-	-	None	-	-
Room RR1 OP/PT	SK	34	<1.0	<1.0	FR	Completed FR	4
Boy's BR by RM RR1 @ (A)	SK	10	-	-	None	-	-
Boy's BR by RM RR1 @ (B)	SK	3.2	-	-	None	-	-
Faculty Lounge	SK	12	-	-	None	-	-
Nurse's Office BR	SK	78	<1.0	<1.0	FR	Completed FR	3.4

### Lead in Drinking Water Test Results

As of 9/25/18

Sample Location	Fixture Type	1 <sup>st</sup> Draw Results (ppb)	15 Second Draw Results (ppb)	60 Second Draw Results (ppb)	Remedial Recommendation	Remedial Response	Post Remediation Test Results (ppb)
Girl's BR by Faculty Lounge @ (A)	SK	7.7	-	-	None	-	-
Girl's BR by Faculty Lounge @ (B)	SK	13	-	-	None	-	-
Girl's BR by Faculty Lounge @ (C)	SK	6.9	-	-	None	-	-
<b>Girl's BR by Faculty Lounge @ (D)</b>	<b>SK</b>	<b>24</b>			<b>FR</b>	<b>CAP</b>	
Gymnasium	WF	14	-	-	None	-	-
Phys Ed Office	SK	14	-	-	None	-	-
Cafeteria Unit 1@ (A)	SK	<2.5	-	-	None	-	-
Cafeteria Unit 1@ (B)	SK	<2.5	-	-	None	-	-
Cafeteria Unit 1@ (C)	SK	<2.5	-	-	None	-	-
Cafeteria Boy's BR	SK	5.3	-	-	None	-	-
Cafeteria Girl's BR	SK	7.8	-	-	None	-	-
Cafeteria	SK	<2.5	-	-	None	-	-
Kitchen-Dishwasher	SPRAY	11	-	-	None	-	-
<b>Kitchen-handwash</b>	<b>SK</b>	<b>17</b>			<b>FR</b>	<b>SIGN</b>	-
Kitchen-Sanitizer @ (A)	SK	14	-	-	None	-	-
<b>Kitchen-Sanitizer @ (B)</b>	<b>SK</b>	<b>50</b>			<b>FR</b>	<b>CAP</b>	-
Kitchen-Sanitizer @ (C)	SK	<2.5	-	-	None	-	-
<b>Math Room</b>	<b>SK</b>	<b>310</b>			<b>FR</b>	<b>CAP</b>	-
<b>Social Worker's Room</b>	<b>SK</b>	<b>220</b>			<b>FR</b>	<b>CAP</b>	-
Hallway across from Nurse's Office	WF	7.2	-	-	None	-	-
Adult BR Main Hall	SK	6.4	-	-	None	-	-
Principal's Office BR	SK	7.3	-	-	None	-	-
<b>Band Room</b>	<b>SK</b>	<b>200</b>			<b>FR</b>	<b>CAP</b>	-

### Lead in Drinking Water Test Results

As of 9/25/18

Sample Location	Fixture Type	1 <sup>st</sup> Draw Results (ppb)	15 Second Draw Results (ppb)	60 Second Draw Results (ppb)	Remedial Recommendation	Remedial Response	Post Remediation Test Results (ppb)
Staff BR-1955 Wing @ (A)	SK	5.8	-	-	None	-	-
Staff BR-1955 Wing @ (B)	SK	11	-	-	None	-	-
Room 106	SK	15	-	-	None	-	-
<b>Room 106 BR</b>	SK	<b>16</b>	<b>6.4</b>	<b>6.1</b>	<b>FR</b>	<b>Completed FR</b>	<b>&lt;1.0</b>
Room 107 @ (A)	SK	5.4	-	-	None	-	-
Room 107 @ (B)	SK	<2.5	-	-	None	-	-
Room 107 BR	SK	14	-	-	None	-	-
<b>Room 105</b>	SK	<b>107</b>	<b>1.2</b>	<b>&lt;1.0</b>	<b>FR</b>	<b>Completed FR</b>	<b>8.7</b>
Room 105 BR	SK	14	-	-	None	-	-
<b>Room 104</b>	SK	<b>25</b>	<b>2.1</b>	<b>1.1</b>	<b>FR</b>	<b>Completed FR</b>	<b>16 (4/11/2017)</b>
Room 103	SK	5.7	-	-	None	-	-
<b>Room 103 BR</b>	SK	<b>18</b>	<b>&lt;1.0</b>	<b>&lt;1.0</b>	<b>FR</b>	<b>Completed FR</b>	<b>3.4</b>
<b>Room 102</b>	SK	<b>23</b>	<b>&lt;1.0</b>	<b>&lt;1.0</b>	<b>FR</b>	<b>Completed FR</b>	<b>2.4</b>
<b>Room 102 BR</b>	SK	<b>80</b>	<b>4.8</b>	<b>2.5</b>	<b>FR</b>	<b>Completed FR</b>	<b>3.8</b>
<b>Room 101</b>	SK	<b>95</b>	<b>&lt;1.0</b>	<b>&lt;1.0</b>	<b>FR</b>	<b>Completed FR</b>	<b>11</b>
<b>Room 101 BR</b>	SK	<b>28</b>	<b>3</b>	<b>1.5</b>	<b>FR</b>	<b>Completed FR</b>	<b>2.9</b>
<b>Room 201</b>	SK	<b>44</b>	<b>15</b>	<b>&lt;1.0</b>	<b>FR</b>	<b>Completed FR</b>	<b>1.5</b>
<b>Room 203</b>	SK	<b>46</b>	<b>1.9</b>	<b>&lt;1.0</b>	<b>FR</b>	<b>Completed FR</b>	<b>1.5</b>
<b>Room 202</b>	SK	<b>35</b>	<b>&lt;1.0</b>	<b>&lt;1.0</b>	<b>FR</b>	<b>Completed FR</b>	<b>1.5</b>
<b>Room 205</b>	SK	<b>29</b>	<b>&lt;1.0</b>	<b>&lt;1.0</b>	<b>FR</b>	<b>Completed FR</b>	<b>1.2</b>
<b>Room 204</b>	SK	<b>46</b>	<b>&lt;1.0</b>	<b>&lt;1.0</b>	<b>FR</b>	<b>Completed FR</b>	<b>1.3</b>
<b>Room 207</b>	SK	<b>36</b>	<b>&lt;1.0</b>	<b>&lt;1.0</b>	<b>FR</b>	<b>Completed FR</b>	<b>1.6</b>
<b>Room 206</b>	SK	<b>40</b>	<b>&lt;1.0</b>	<b>&lt;1.0</b>	<b>FR</b>	<b>Completed FR</b>	<b>4.2</b>

### Lead in Drinking Water Test Results

As of 9/25/18

Sample Location	Fixture Type	1 <sup>st</sup> Draw Results (ppb)	15 Second Draw Results (ppb)	60 Second Draw Results (ppb)	Remedial Recommendation	Remedial Response	Post Remediation Test Results (ppb)
Room 208	SK	4.5	-	-	None	-	-
Girl's BR by RM 208 @ (A)	SK	15	-	-	None	-	-
Girl's BR by RM 208 @ (B)	SK	14	-	-	None	-	-
Girl's BR by RM 208 @ (C)	SK	289	<1.0	<1.0	FR	Completed FR	1.4
Boy's BR by RM 208 @ (A)	SK	37	<1.0	<1.0	FR	Completed FR	2.6
Boy's BR by RM 208 @ (B)	SK	29	<1.0	<1.0	FR	Completed FR	3.6
Boy's BR by RM 208 @ (C)	SK	11	-	-	None	-	-
Boy's BR by RM 208 @ (D)	SK	44	7.2	<1.0	FR	Completed FR	<1.0
Girl's BR by RM 210 @ (A)	SK	49	5.2	3.5	FR	Completed FR	9.7
Girl's BR by RM 210 @ (B)	SK	48	3.9	3.3	FR	Completed FR	18 (4/11/2017)
Girl's BR by RM 210 @ (C)	SK	46	1.8	<1.0	FR	Completed FR	2.7
Library Office	SK	232	17	78	FRSLVPA	Completed FRSLVPA	3.9
Girl's BR by Library @ (A)	SK	70	1.2	1.4	FR	Completed FR	147 (4/11/2017)
Girl's BR by Library @ (B)	SK	194	1	1.2	FR	Completed FR	7
Girl's BR by Library @ (C)	SK	116	24	6.7	FRSLV	Completed FRSLV	5.2
Girl's BR by Library @ (D)	SK	38	2.4	1.5	FR	Completed FR	<1.0
ESL Room BR	SK	6.5	-	-	None	-	-
Boy's BR by RM 218 @ (A)	SK	5.1	-	-	None	-	-
Boy's BR by RM 218 @ (B)	SK	61	<1.0	<1.0	FR	Completed FR	2.3
Boy's BR by RM 218 @ (C)	SK	36	<1.0	<1.0	FR	Completed FR	3.4
Boy's BR by RM 218 @ (D)	SK	231	<1.0	<1.0	FR	Completed FR	1.3
Room 103	WF	5	-	-	None	-	-
Room 104	WF	21			FR		



### Lead in Drinking Water Test Results

As of 9/25/18

Sample Location	Fixture Type	1 <sup>st</sup> Draw Results (ppb)	15 Second Draw Results (ppb)	60 Second Draw Results (ppb)	Remedial Recommendation	Remedial Response	Post Remediation Test Results (ppb)
Room 105	WF	14	-	-	None	-	-
Room 106	WF	5.3	-	-	None	-	-
1st Floor WF by Room 104 [New Fixture 2017]	WF	<1.0	-	-	None	-	-
2nd Floor WF by Room 205 [New Fixture 2017]	WF	<1.0	-	-	None	-	-
2nd Floor WF by Library (Left) [New Fixture 2017]	WF	<1.0	-	-	None	-	-
2nd Floor WF by Library (Right) [New Fixture 2017]	WF	<1.0	-	-	None	-	-
2nd Floor WF by Boy's Room (Left) [New Fixture 2017]	WF	<1.0	-	-	None	-	-
2nd Floor WF by Boy's Room (Right) [New Fixture 2017]	WF	<1.0	-	-	None	-	-
2nd Floor WF by Computer Lab (Left) [New Fixture 2017]	WF	<1.0	-	-	None	-	-
2nd Floor WF by Computer Lab (Right) [New Fixture 2017]	WF	<1.0	-	-	None	-	-
1st Floor WF by Main Office (Left) [New Fixture 2017]	WF	<1.0	-	-	None	-	-
1st Floor WF by Main Office (Right) [New Fixture 2017]	WF	<1.0	-	-	None	-	-
1st Floor WF by Staff BR (Left) [New Fixture 2017]	WF	<1.0	-	-	None	-	-
1st Floor WF by Staff BR (Right) [New Fixture 2017]	WF	<1.0	-	-	None	-	-
Hallway Across from Nurse's Office (Left) [New Fixture 2017]	WF	<1.0	-	-	None	-	-
Hallway Across from Nurse's Office (Right) [New Fixture 2017]	WF	<1.0	-	-	None	-	-

## Code Key

### Remediation Type Codes

FR	=	Fixture replacement
FRSLV	=	Replacement of fixture, supply lines, and valves
FRSLVPA	=	Replacement of fixture, supply lines, valves and plumbing assessment
SIGN	=	Warning sign posting
CAP	=	Remove fixture or cap line

### Room ID Codes

CC	=	Custodian Closet
MPR	=	Multi Purpose Room
Café	=	Cafeteria
Sci	=	Science Lab
PE	=	Physical Ed
BR	=	Bathroom
LR	=	Locker Room
RM	=	Room

### Fixture Type Codes

WF	=	Water Fountain
SK	=	Sink
SS	=	Slop Sink
SP	=	Spigot
PF	=	Pot Filler
HB	=	Hose Bib
IM	=	Ice Machine
WC	=	Water Cooler
SH	=	Shower
SL	=	Supply Line

### Result Code

ND	=	Not Detected
<	=	Less Than
-	=	No Testing Required
#	=	When seen in the Post Remediation Test Results: after numerous failing tests, the Hashtag is used to show a passing result



Lead in Drinking Water Test Results

As of 9/25/18

Sample Location	Fixture Type	1 <sup>st</sup> Draw Results (ppb)	15 Second Draw Results (ppb)	60 Second Draw Results (ppb)	Remedial Recommendation	Remedial Response	Post Remediation Test Results (ppb)
Kitchen Prep Sink	SK	4.3	-	-	None	-	-
Nurse's Office Sink	SK	1.3	-	-	None	-	-
Water Fountain by Main Lobby	WF	<1.0	-	-	None	-	-
Faculty Room Sink	SK	2.1	-	-	None	-	-
Water Fountain by Room 15	WF	<1.0	-	-	None	-	-
Water Fountain by Room 8	WF	<1.0	-	-	None	-	-
Room 1 Water Fountain	WF	1.4	-	-	None	-	-
<b>Room 2 Water Fountain</b>	<b>WF</b>	<b>120</b>			<b>FR</b>	<b>CAP</b>	<b>-</b>
Room 21 Water Fountain	WF	<1.0	-	-	None	-	-
Room 22 Water Fountain	WF	<1.0	-	-	None	-	-
Room 42 Water Fountain	WF	<1.0	-	-	None	-	-
Room 38 Water Fountain	WF	<1.0	-	-	None	-	-
Room 35 Sink	SK	<1.0	-	-	None	-	-
Room 18 Water Fountain	WF	<1.0	-	-	None	-	-
Nurse's Office BR	SK	<2.5	-	-	None	-	-
Custodial BR	SK	<2.5	-	-	None	-	-
Boy's BR by Main Lobby	SK	<2.5	-	-	None	-	-
Girl's BR by Main Lobby	SK	<2.5	-	-	None	-	-
Principal's Office BR	SK	<2.5	-	-	None	-	-
Adult BR by Principal's Office	SK	<2.5	-	-	None	-	-
Assistant Super Intendent	SK	<2.5	-	-	None	-	-
Room 23	SK	3.1	-	-	None	-	-
Room 23	WF	<2.5	-	-	None	-	-

### Lead in Drinking Water Test Results

As of 9/25/18

Sample Location	Fixture Type	1 <sup>st</sup> Draw Results (ppb)	15 Second Draw Results (ppb)	60 Second Draw Results (ppb)	Remedial Recommendation	Remedial Response	Post Remediation Test Results (ppb)
Room 23 BR	SK	<2.5	-	-	None	-	-
Adult BR by Room 23	SK	<2.5	-	-	None	-	-
Room K1	SK	<2.5	-	-	None	-	-
Room K1	WF	<2.5	-	-	None	-	-
Room K1 BR	SK	5.2	-	-	None	-	-
Art Room BR	SK	<2.5	-	-	None	-	-
Art Room Unit @ (A)	SK	2.9	-	-	None	-	-
Art Room Unit @ (B)	SK	2.8	-	-	None	-	-
Art Room Unit @ (C)	SK	<2.5	-	-	None	-	-
Room K3	SK	<2.5	-	-	None	-	-
Room K3	WF	<2.5	-	-	None	-	-
Room K3 BR	SK	<2.5	-	-	None	-	-
Room K4	SK	<2.5	-	-	None	-	-
Room K4	WF	<2.5	-	-	None	-	-
Room K4 BR	SK	<2.5	-	-	None	-	-
Room 18	SK	<2.5	-	-	None	-	-
Room 18 BR	SK	2.6	-	-	None	-	-
Room 19	SK	<2.5	-	-	None	-	-
Room 19	WF	<2.5	-	-	None	-	-
Room 19 BR	SK	<2.5	-	-	None	-	-
Room 24 BR by Stage	SK	<2.5	-	-	None	-	-
Room 24 BR	SK	<2.5	-	-	None	-	-
Room 20	SK	<2.5	-	-	None	-	-

Lead in Drinking Water Test Results

As of 9/25/18

Sample Location	Fixture Type	1 <sup>st</sup> Draw Results (ppb)	15 Second Draw Results (ppb)	60 Second Draw Results (ppb)	Remedial Recommendation	Remedial Response	Post Remediation Test Results (ppb)
Room 20 BR	SK	<2.5	-	-	None	-	-
Men's BR by Room 21	SK	<2.5	-	-	None	-	-
Women's BR by Room 21 @ (A)	SK	<2.5	-	-	None	-	-
Women's BR by Room 21 @ (B)	SK	4.8	-	-	None	-	-
Room 21	SK	<2.5	-	-	None	-	-
Room 21 BR	SK	<2.5	-	-	None	-	-
Room 22	SK	12	-	-	None	-	-
Room 22 BR	SK	<2.5	-	-	None	-	-
Room 17	SK	<2.5	-	-	None	-	-
Room 17	WF	<2.5	-	-	None	-	-
Room 17 BR	SK	3.5	-	-	None	-	-
Reading Room	SK	<2.5	-	-	None	-	-
Room 15	SK	<2.5	-	-	None	-	-
Room 15	WF	<2.5	-	-	None	-	-
Room 15 BR	SK	<2.5	-	-	None	-	-
Room 14	SK	<2.5	-	-	None	-	-
Room 14	WF	<2.5	-	-	None	-	-
Room 14 BR	SK	<2.5	-	-	None	-	-
Room 12	SK	<2.5	-	-	None	-	-
Room 12	WF	2.7	-	-	None	-	-
Boy's BR by Music Room @ (A)	SK	<2.5	-	-	None	-	-
Boy's BR by Music Room @ (B)	SK	<2.5	-	-	None	-	-
Boy's BR by Music Room @ (C)	SK	<2.5	-	-	None	-	-

Lead in Drinking Water Test Results

As of 9/25/18

Sample Location	Fixture Type	1 <sup>st</sup> Draw Results (ppb)	15 Second Draw Results (ppb)	60 Second Draw Results (ppb)	Remedial Recommendation	Remedial Response	Post Remediation Test Results (ppb)
Boy's BR by Music Room @ (D)	SK	<2.5	-	-	None	-	-
Girl's BR by Room 7 @ (A)	SK	<2.5	-	-	None	-	-
Girl's BR by Room 7 @ (B)	SK	<2.5	-	-	None	-	-
Girl's BR by Room 7 @ (C)	SK	<2.5	-	-	None	-	-
Girl's BR by Room 7 @ (D)	SK	<2.5	-	-	None	-	-
Girl's BR by Room 7 @ (E)	SK	<2.5	-	-	None	-	-
Room 7	SK	<2.5	-	-	None	-	-
Room 7	WF	<2.5	-	-	None	-	-
Room 8	SK	<2.5	-	-	None	-	-
Room 8	WF	<2.5	-	-	None	-	-
Room 6	SK	<2.5	-	-	None	-	-
Room 6	WF	<2.5	-	-	None	-	-
Room 5	SK	<2.5	-	-	None	-	-
Room 5	WF	<2.5	-	-	None	-	-
Room 3	SK	<2.5	-	-	None	-	-
Room 3	WF	2.6	-	-	None	-	-
Room 4	SK	2.5	-	-	None	-	-
Room 4	WF	<2.5	-	-	None	-	-
Room 1	SK	<2.5	-	-	None	-	-
Room 2	SK	6.9	-	-	None	-	-
Room 35	WF	16			FR	Completed FR	50 (11/18/2016) <1.0 (4/11/2017)
Room 36	SK	<2.5	-	-	None	-	-

### Lead in Drinking Water Test Results

As of 9/25/18

Sample Location	Fixture Type	1 <sup>st</sup> Draw Results (ppb)	15 Second Draw Results (ppb)	60 Second Draw Results (ppb)	Remedial Recommendation	Remedial Response	Post Remediation Test Results (ppb)
Room 36	WF	<2.5	-	-	None	-	-
Room 37	SK	<2.5	-	-	None	-	-
Room 37	WF	<2.5	-	-	None	-	-
Room 38	SK	<2.5	-	-	None	-	-
Hallway by Room 39	WF	<2.5	-	-	None	-	-
Room 39	SK	<2.5	-	-	None	-	-
Room 39	WF	<2.5	-	-	None	-	-
Room 40	SK	<2.5	-	-	None	-	-
Room 40	WF	<2.5	-	-	None	-	-
Boy's BR by Room 41 @ (A)	SK	15	-	-	None	-	-
Boy's BR by Room 41 @ (B)	SK	<2.5	-	-	None	-	-
Boy's BR by Room 41 @ (C)	SK	<2.5	-	-	None	-	-
Girl's BR by Room 41 @ (A)	SK	10	-	-	None	-	-
<b>Girl's BR by Room 41 @ (B)</b>	<b>SK</b>	<b>18</b>			<b>FR</b>	<b>Completed FR</b>	<b>59 (11/18/2016) #1.2 (4/11/2017)</b>
Girl's BR by Room 41 @ (C)	SK	<2.5	-	-	None	-	-
Girl's BR by Room 41 @ (D)	SK	<2.5	-	-	None	-	-
Room 41	SK	<2.5	-	-	None	-	-
Room 41	WF	<2.5	-	-	None	-	-
Room 42	SK	<2.5	-	-	None	-	-
Serving Line Steam Filler	SK	<2.5	-	-	None	-	-
Kitchen Dishwashing	SPRAY	14	-	-	None	-	-
Kitchen Prep @ (B)	SK	<2.5	-	-	None	-	-

Lead in Drinking Water Test Results

As of 9/25/18

Sample Location	Fixture Type	1 <sup>st</sup> Draw Results (ppb)	15 Second Draw Results (ppb)	60 Second Draw Results (ppb)	Remedial Recommendation	Remedial Response	Post Remediation Test Results (ppb)
Kitchen Handwash	SK	<2.5	-	-	None	-	-
Cafeteria	WF	<1.0	-	-	None	-	-
Water Fountain by Room 15 (New Fixture 2017)	WF	<1.0	-	-	None	-	-
Water Fountain by Room 8 (New Fixture 2017)	WF	<1.0	-	-	None	-	-
Water Fountain by Room 39 (New Fixture 2018)	WF	<1.0	-	-	None	-	-



## Code Key

### Remediation Type Codes

FR	=	Fixture replacement
FRSLV	=	Replacement of fixture, supply lines, and valves
FRSLVPA	=	Replacement of fixture, supply lines, valves and plumbing assessment
SIGN	=	Warning sign posting
CAP	=	Remove fixture or cap line

### Room ID Codes

CC	=	Custodian Closet
MPR	=	Multi Purpose Room
Café	=	Cafeteria
Sci	=	Science Lab
PE	=	Physical Ed
BR	=	Bathroom
LR	=	Locker Room
RM	=	Room

### Fixture Type Codes

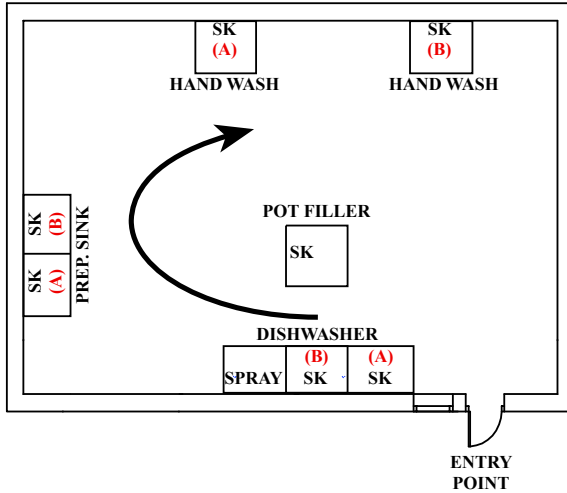
WF	=	Water Fountain
SK	=	Sink
SS	=	Slop Sink
SP	=	Spigot
PF	=	Pot Filler
HB	=	Hose Bib
IM	=	Ice Machine
WC	=	Water Cooler
SH	=	Shower
SL	=	Supply Line

### Result Code

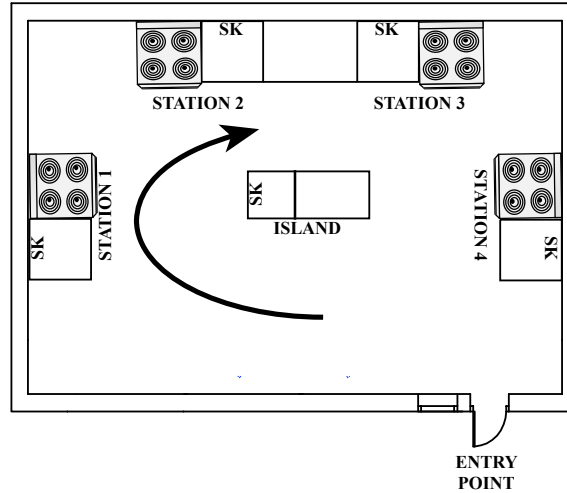
ND	=	Not Detected
<	=	Less Than
-	=	No Testing Required
#	=	When seen in the Post Remediation Test Results: after numerous failing tests, the Hashtag is used to show a passing result



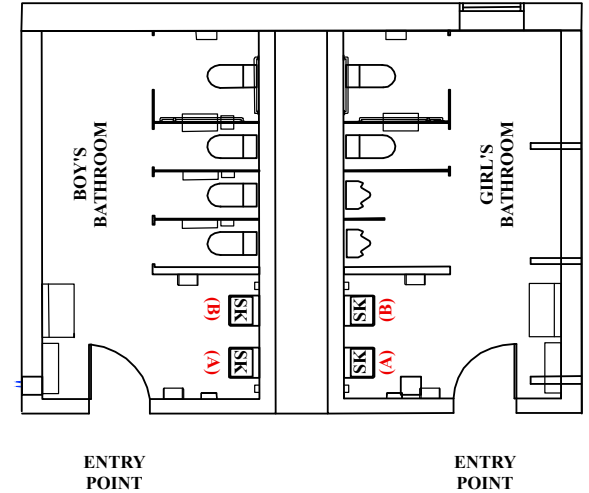
**KITCHEN  
DIAGRAM**



**HOME ECONOMICS / CAREER  
DIAGRAM**



**GANG BATHROOM  
DIAGRAM**



**SAMPLE IDENTIFICATION (example)**

LOCATION	SOURCE
Kitchen Dishwash Station @ (A)	SK
Kitchen Dishwash Station @ (B)	SK
Kitchen Dishwasher	SPRAY
Prep. Sink @ (A)	SK
Prep. Sink @ (B)	SK
Kitchen Hand Wash @ (A)	SK
Kitchen Hand Wash @ (B)	SK
Kitchen Pot Filler	SK

**SAMPLE IDENTIFICATION (example)**

LOCATION	SOURCE
Carrier RM - Station 1	SK
Carrier RM - Station 2	SK
Carrier RM - Station 3	SK
Carrier RM - Station 4	SK
Carrier RM - Island	SK

**SAMPLE IDENTIFICATION (example)**

LOCATION	SOURCE
Girl's BR @ (A)	SK
Girl's BR @ (B)	SK
Boy's BR @ (A)	SK
Boy's BR @ (B)	SK



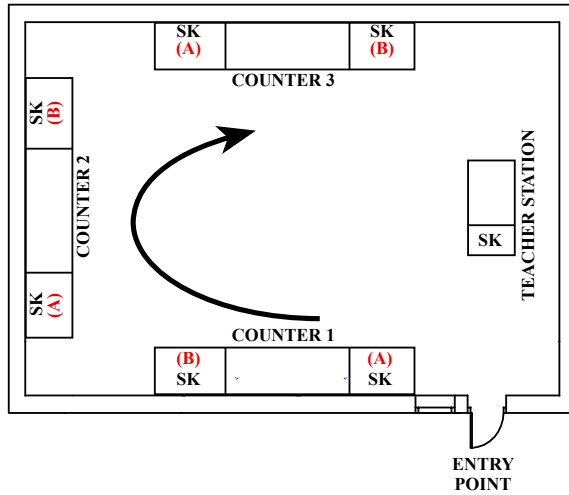
ENVIROSCIENCE  
CONSULTANTS, INC.  
2150 SMITHTOWN AVENUE  
RONKONKOMA, NY 11779  
(631) 580-3191  
FAX 580-3195  
www.envirohealth.org

KEY PLAN  
NO SCALE

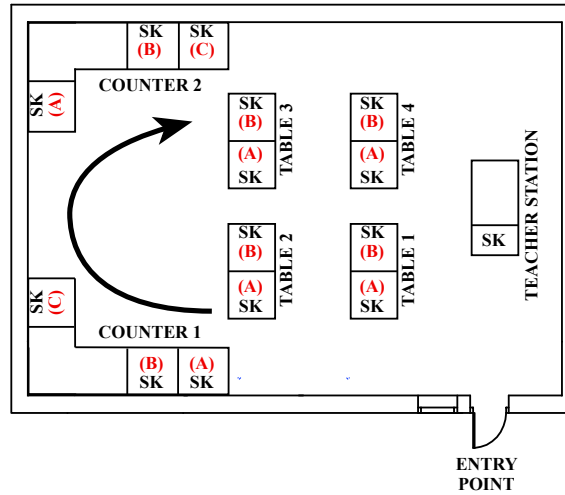
**WATER SAMPLING METHODOLOGY**

NOT TO SCALE  
Date: 9/26/2016  
By: Robert Cardona

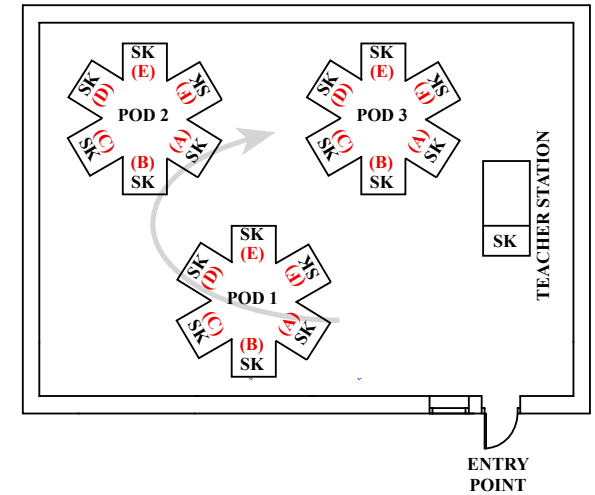
**SCIENCE ROOM TYPE 1  
DIAGRAM**



**SCIENCE ROOM TYPE 2  
DIAGRAM**



**SCIENCE ROOM TYPE 3  
DIAGRAM**



**SAMPLE IDENTIFICATION (example)**

LOCATION	SOURCE
Room 200 - Teacher Station	SK
Room 200 - Counter 1 @ (A)	SK
Room 200 - Counter 1 @ (B)	SK
Room 200 - Counter 2 @ (A)	SK
Room 200 - Counter 2 @ (B)	SK
Room 200 - Counter 3 @ (A)	SK
Room 200 - Counter 3 @ (B)	SK

**SAMPLE IDENTIFICATION (example)**

LOCATION	SOURCE
Room 200 - Teacher Station	SK
Room 200 - Table 1 @ (A)	SK
Room 200 - Table 1 @ (B)	SK
Room 200 - Table 2 @ (A)	SK
Room 200 - Table 2 @ (B)	SK
Room 200 - Table 3 @ (A)	SK
Room 200 - Table 3 @ (B)	SK
Room 200 - Table 4 @ (A)	SK
Room 200 - Table 4 @ (B)	SK
Room 200 - Counter 1 @ (A)	SK
Room 200 - Counter 1 @ (B)	SK
Room 200 - Counter 1 @ (C)	SK
Room 200 - Counter 2 @ (A)	SK
Room 200 - Counter 2 @ (B)	SK
Room 200 - Counter 2 @ (C)	SK

**SAMPLE IDENTIFICATION (example)**

LOCATION	SOURCE
Room 200 - Teacher Station	SK
Room 200 - POD 1 @ (A)	SK
Room 200 - POD 1 @ (B)	SK
Room 200 - POD 1 @ (C)	SK
Room 200 - POD 1 @ (D)	SK
Room 200 - POD 1 @ (E)	SK
Room 200 - POD 1 @ (F)	SK
Room 200 - POD 2 @ (A)	SK
Room 200 - POD 2 @ (B)	SK
Room 200 - POD 2 @ (C)	SK
Room 200 - POD 2 @ (D)	SK
Room 200 - POD 2 @ (E)	SK
Room 200 - POD 2 @ (F)	SK
Room 200 - POD 3 @ (A)	SK
Room 200 - POD 3 @ (B)	SK
Room 200 - POD 3 @ (C)	SK
Room 200 - POD 3 @ (D)	SK
Room 200 - POD 3 @ (E)	SK
Room 200 - POD 3 @ (F)	SK



ENVIROSCIENCE  
CONSULTANTS, INC  
2150 SMITHTOWN AVENUE  
RONKONKOMA, NY 11779  
(631) 580-3191  
FAX 580-3195  
www.envirohealth.org

KEY PLAN  
NO SCALE

**WATER SAMPLING METHODOLOGY**

NOT TO SCALE

Date: 9/26/2016

By: Robert Cardona

DRAWING 2 of 2